

Engine

Cummins QSL 9, EU Stage IV

Net Power

315 hp (235 kW)

Operating Weight

27,412 kg (60,433 lb)

Bucket Capacity

3.5 m³ (4.6 yd³) – 8.0 m³ (10.4 yd³)

877H
WHEEL LOADER



TOUGH WORLD. TOUGH EQUIPMENT.

TOUGH WORLD. TOUGH EQUIPMENT.

You don't need to be told it's a tough world. It's your reality, you live it every day and you know how hard it can be on your people and your machines. It's getting tougher to make your business pay too, with rising costs, increasing legislation and greater competition. We understand and we've put that understanding into action with our new 877H.

877H. NO TOUGH COMPROMISES, JUST EVERYTHING YOU NEED AND NOTHING YOU DON'T

The construction equipment industry has seen an expensive trend towards over-engineered products. Some manufacturers genuinely believe that adding cost, adds perceived value in customers' eyes.

BUT YOU TOLD US A DIFFERENT STORY

You asked for a tough, well-engineered wheel loader, which just keeps on working, cycle after cycle.



YOU WANTED A ROBUST WHEEL LOADER THAT DELIVERS ON 3 ESSENTIAL NEEDS;

1



HEAVYWEIGHT CREDIBILITY

2



UPTIME AND SUPPORT

3



TOTAL COST OF OWNERSHIP



With the new 877H, we've risen to your challenge and given you everything you want – a tough, credible wheel loader – built without compromise.

TOUGH FACTS

TOUGH QUALITY STANDARDS

When it comes to quality, we let our actions to speak for themselves.

We are following a rigorous Six Sigma methodology and consistently achieve ISO 9001 standards.

TOUGH RESEARCH AND TESTING

Finding tougher, smarter, safer and more cost-effective ways of working matters to you. It matters to us too. Our new Global Research & Development Centre in Liuzhou China, is a great example of this customer focused approach. We've established an international team of industry experts, backed up with the latest world-class technology, all focused on delivering greater value to you.

TOUGH PARTNERS

Liugong has teamed up with some of the industry's best known names. Here's just a few of our valued joint venture partners;

- German drivetrain components manufacturer ZF Friedrichshafen AG
- Finnish mining and aggregates processing equipment manufacturer Metso
- North American diesel engine manufacturer Cummins



HEAVYWEIGHT CREDIBILITY

In tough quarrying and mining environments, there's no room for guesswork. You need to know that your wheel loader can easily handle all the strenuous day-to-day tasks with speed, economy and unending stamina. Your business credibility ultimately depends on your machine's operating performance and with our new 877H you can be sure that your reputation is in safe hands.

1 HEAVYWEIGHT POWER

At the heart of our exceptional powertrain lies the latest Cummins QSL9 engine. This power house has been designed to deliver impressive acceleration and torque output, along with a serious bucket filling and lifting capability which greatly increases cycle times and earning potential. As you would expect, with a rated net power of 315 hp (235 kW) @ 2000 rpm the QSL9 fully complies with EU Stage IV emission standards.

2 HEAVYWEIGHT COMBINATION

Faster cycle times are made easy with the 877H's power combination. Our QSL engine is teamed up with a five speed, ZF smooth shifting transmission with torque converter lock up as standard. This combination optimizes power and fuel efficiency, day after day, increasing bucket breakout force and loading capability. To this, we've added larger, high capacity axles which make light work of the toughest terrain and intelligent hydraulics for low-engine speed performance, quick steering response and rapid boom up speeds. We put this power right in your operator's hands with simple and intuitive controls designed to get the job done faster and more effectively every cycle.

3 THE CAPABILITY TO LIFT MORE FOR LONGER

Our new H Series buckets load heavy materials easier and faster; saving you time, lowering fuel consumption and reducing damage. In tests, our new buckets increase production by 14% and lower fuel consumption by 15% per hour. In addition, damage to the bucket and teeth can be greatly reduced thanks to the stronger anti-wear blade.

4 PROVEN ZF AXLE PERFORMANCE

Stability, traction and weight loading capability are the 3 key essentials for axles in heavy applications. Our new ZF axles with limited-slip differentials excel in handling heavy loads up to 44T static and 25T dynamic in tough terrain. The intelligent, responsive power combined with excellent traction and stability give operators a real feeling of confidence on any ground – soft and shifting or hard and unforgiving.

5 NEW Z-BAR ENHANCEMENTS

Careful distribution of stress loads increases the Z-bar's tolerance significantly. Hinge pins and lift arm mounting plates have been strengthened, while optimized Z-Bar geometry improves bucket breakout force, operator visibility, loading stability and speed.

6 SAFETY CREDENTIALS

When it comes to operator safety our cabs are second to none. ROPS and FOPS safeguard your operator, but we've gone further, increasing stability to prevent roll overs happening in the first place. As a result, operators can relax and be confident in the integrity of their machine, no matter how unstable the terrain.

7 HEAVYWEIGHT BACKBONE

The chassis frame is the backbone of the machine, so it's got to be tough. Our rigorous design and testing regime has delivered a chassis capable of absorbing all the forces and pressures of the toughest most demanding environments. Hour after hour, day after day, year after year, our chassis stay strong, protecting the driveline, your operator and your profitability.

8 NEW DIESEL TANK

A new larger, better protected and more efficient 372L fuel tank keeps the 877H working harder for longer. Its well-positioned suction line achieves 96% utilization even on steep slopes. In addition, diesel cooling reduces vapor, lowers temperature and increases overall fuel efficiency.

9 15% AIRFLOW IMPROVEMENT

A new grill, a larger more efficient cooling fan and a newly redesigned radiator all combine to deliver a 15% improvement in ventilation. Whatever the conditions, you can be confident that the 877H will always keep its cool when the going gets tough.



TOUGH JUDGES

Wheel loader operators are tough judges. They know what they like and what they don't. We've talked, we've listened and we've delivered a no-nonsense wheel loader that will do everything the operator wants and needs it to do. **Job done? Judge for yourself.**

400,000

MACHINES DELIVERED

SHARING OUR CUSTOMERS' SUCCESS

No matter what we say or how passionately we argue our case, ultimately heavyweight credibility comes down to one unavoidable question.

Can our machines really cut it in the real world?

Our answer?

Ask the satisfied owners of the **400,000** LiuGong wheel loaders already delivered. Their trust in our knowledge, their satisfaction in our product and their loyalty, have made LiuGong one of the world's largest wheel loader manufacturers.

Don't take our word... take theirs.



GET'S THE JOB DONE

I have been the operator of this LiuGong wheel loader since the company purchased it three years ago... It is used day in, day out, eight-to-ten hours a day, five and sometimes six days a week.

Even though stone mines are tough on machinery we have not had any major problems. Age has not effected the controls; they are still just as reactive and the engine and lifting performance is still as strong as the day it arrived.

Eszak Terko Ltd – Hungary

A CREDIBLE CHOICE

Even though we know that Chinese brands will be future leaders in the construction industry, we were a little uncertain about what LiuGong could offer, so we did a lot of research online before committing to the purchase. We found that LiuGong is a major player globally and that most of the technical components are from Western Europe so there is very little risk.

If we do have a problem, there is a European parts warehouse in Poland and the local dealer provides good support.

Van Dijk Infragroep – the Netherlands





POWER YOU CAN TRUST

Heavyweight credibility is about giving your operators unshakable confidence in their machine and its ability to handle the toughest and heaviest jobs. That's what we do. Our endurance testing exposes our machines to over 30,000 hours of relentless stress testing, to prove that when it comes to credibility, actions speak louder.

POWER WITHOUT WASTE

Environmental as well as economic awareness lie at the heart of our new 877H. Powered by the latest fuel efficient Cummins QSL9 engine, it has a net power rating of 315 Hp (235 kW) @ 2000 rpm and fully complies with EU Stage IV emission standards without compromising on power or performance.

For operational efficiency, the engine uses a precise, high pressure common-rail fuel injection system, turbo charger (VGT) and air-to-air intercooler, along with electronic engine controls to deliver optimal performance in every cycle in every shift. Engine emissions are virtually eliminated by NOx and Dual reduction Technology, ensuring that the 877H delivers, both for the environment and the bottom line.



INTELLIGENT AUTO-IDLE SPEED CONTROL

Fuel consumption and emissions are closely linked to engine speed – the greater the control and optimization, the lower the fuel consumption and emissions. Intelligent Auto-Idle Speed cleverly matches engine speed and RPM with the job in hand and will automatically switch to idle speed in between actions, greatly improving environmental and economic performance.

KEEPING IT COOL AND CLEAN

Inefficient engine cooling has a negative effect on fuel economy and emissions. We have focused our design experience on greatly improving the engine cooling system. The new 6mm hexagon grill improves ventilation while a new reversible hydraulic fan, increases cooling efficiency with the flick of a button.



SMART FUEL ECONOMY (SAVE UP TO 4 L)

The intelligent combination of powerful digging force, swing torque and lifting performance make the most of every drop of fuel. The 877H maximizes fuel economy by intelligently regulating its idle speed by the second.



1 second: If no hydraulic request signal detected from the joystick, the engine speed is automatically dropped by 100 RPM, saving 1 liter of fuel every 2 hours.



3 seconds: If no activity is detected over three seconds the engine speed will decrease to idle.

In each case, as soon as the system detects the hydraulic signal once more, the engine will immediately return to the previous throttle speed setting. Our tests indicate that up to 4 liters of fuel can be saved on an 8-hour shift.

HEAVYWEIGHT CREDIBILITY IS POWER IN ACTION

Power means nothing unless it can be intelligently employed to get the job done faster and better. Cycle after cycle it's about taking the power from the engine and delivering that power with force and efficiency to the loading tool.

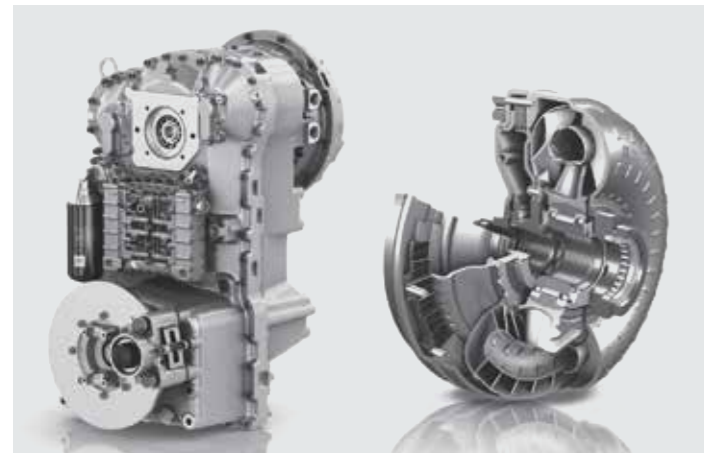
LOAD SENSING HYDRAULICS – POWER WHERE YOU WANT IT

Our hydraulic system delivers an impressively high breakout force of 200kN with control and precision delivering power to where the operator really needs it. Lifting and cycle speeds are equally impressive at 5.8 seconds and 10.3 seconds, respectively. This is power where you need it, improving penetration, allowing simultaneous lift and tilt functions to be executed and reducing hydraulic waste.

AUTOMATIC TRANSMISSION – ENHANCING OPERATOR PERFORMANCE AND FUEL ECONOMY

The 877H's automatic powershift transmission helps even the newest operator perform like a fuel wise professional matching the machine's performance perfectly to the job, whatever that job may be.

Three selectable options; Manual, Semi-auto and Full auto, make it easier to do the job better, saving time and reducing fuel and emissions. The lock up clutch torque converter also aids performance fuel economy by delivering the maximum amount of power to the transmission. Fuel economy is further improved by the ICCO or Intelligent Clutch Cut Off which significantly improves loading efficiency. Finally, operators really appreciate the new AEB clutch adjustment in the gear box which ensures fast and smooth gears shifts, making their life noticeably easier.



RIDE CONTROL – POWER AND COMFORT

Heavyweight work can be tough on man and machine. LiuGong's next generation ride control, teamed with automated bucket positioning sets the new benchmark for heavy lifting applications. Loading shocks and impacts are greatly reduced, that's good news for operators and for the machine's longevity. Smoother load handling and manoeuvrability around the site has been noticeably improved with material spillage greatly reduced, leading to faster, more productive cycle times, reduced fuel consumption and higher operator performance and satisfaction.



DESIGNED TO MAKE TOUGH WORK EASY ON THE OPERATOR

Climb into the cab of the 877H and you can see that it has been designed by someone who has operated a machine in really tough conditions and who knows the importance of excellent visibility.

For a start, 5-Bar stamped steps with a 10° ergonomic incline and improved anti-slip tread make the 877H safe and easy to get in and out of.

Well-placed door handles, safety rails and anti-slip tape on the upper part of the machine make it easier and safer for operators to enter and exit the cab safely in all weathers and conditions.

Inside, the cab is secure and protected with space to work and excellent visibility from the redesigned windows and effective mirror and rear view camera combinations which improve overall visibility by 15%.

The controls including, joystick or finger control levers are where the operator needs them to be. They are easy to see, easy to

reach and easy to handle.

The multi-adjustable air-suspension seats are comfortable and designed to keep the operator fresh and alert.

WE PUT OPERATORS FIRST

It makes good business sense to give operators the very best working environment – a comfortable operator is a productive operator.

The 877H keeps operators safer, more alert and more productive.

The cab protects the operator from noise and vibrations and is well ventilated. It has advanced climate control to handle the changing seasons and is completely sealed to prevent dust from entering the work place.

HEAVY WORK – NO SWEAT

An advanced climate control system with eight all-round vents, five selection modes and 6 kW of cooling capacity, creates the perfect working environment whatever the weather.

Easy-to-replace air filters eliminate dust and prevent particles from polluting the cab.

CONTROL IN THE OPERATOR'S HANDS

We believe in making life easy for the operator which is why we've positioned the kick-down and forward/reverse buttons on the joystick.

The kick-down function gives the operator finger-tip control enabling him to lower the gear, increase engine torque and maximize bucket breakout force with the minimum of effort.



DAILY CHECKS AND MAINTENANCE SHOULDN'T BE TOUGH

Simple daily checks and maintenance prolong machine performance but, they can be difficult and time consuming on tough jobsites where time is precious.

Not with the 877H.

The electrically actuated, wide opening fiberglass hood gives fast and easy access to the engine and regular service points – that’s good news for operators who want to reduce maintenance time to the minimum.



ONBOARD MONITORING

With on board monitoring, the operator can check the machine’s vital signs; oil temperatures and pressure levels, receive service interval alerts and access all the information that contributes to simple maintenance and servicing of the machine, right from his seat.



Maintenance speed and access is further improved with sturdy handrails, fitted as standard, which enable safe and easy access to the upper structure.



An automatic greasing system improves bearing life and reduces repairs by delivering regular and precise amounts of grease to each bearing.

EASILY ACCESSIBLE SERVICE POINTS MAKE DAILY CHECKS FAST AND EFFECTIVE

- Easily visible hydraulic oil level gauge
- Ground accessible, grouped filters
- Easy to reach electronic control box
- Easy to replace A/C filter next to the cab door



JOBSITE UPTIME AND SUPPORT

Heavyweight credibility might convince you to buy your first machine, but it's uptime and support and total cost of ownership which will keep you coming back to buy more machines. Having confidence in the machine's back up and support network is a vital part of the purchasing decision. How do we at LiuGong measure up?

FAST RESPONDING GLOBAL NETWORK

We have an extensive dealer network of over 300 dealers in more than 100 countries.

All supported by 10 regional subsidiaries and 9 global parts centers offering expert training, parts and service support.



WHERE YOU NEED US WHEN YOU NEED US

Reliability is built into our machines but all machines have some planned downtime. Our aim is to reduce even planned down time to the minimum by getting it right. Technician training and parts availability are also high on our agenda, as is keeping you

informed on service and maintenance work and providing clear and accurate estimates, invoices and communication. These may be small things, but customer feedback tells us that these basics really matter – so we aim to get them right.

MAINTENANCE AND SUPPORT PACKAGES

From genuine LiuGong parts, to full repair and maintenance contracts, LiuGong has the flexibility to offer the level of support and response to suit your business and applications. Whatever level of support you choose you can be confident that it is backed up by LiuGong's service promise.



**Right parts.
Right price.
Right service.**

**Above all,
we get it right
the first time.**

1st



WE ARE LIUGONG. WORKING HARD TO KEEP OUR GLOBAL CUSTOMERS EARNING



LIUGONG SERVICE PROMISE





TOTAL COST OF OWNERSHIP

Heavyweight credibility and uptime and support are two key wheel loader purchasing criteria but ultimately, the machines earning potential, its overall life cost and its trade-in value really matter too.

When it comes to total cost of ownership LiuGong has a strong story to tell.

PROFESSIONAL ADVICE

We are committed to reducing your total cost of ownership and increasing your profits. As part of this, LiuGong's experts will provide targeted advice on everything, from choosing the right machine for your needs to maximizing its efficiency on site.

MACHINE AVAILABILITY

Our machines deliver everything you need and nothing you don't. They are expertly engineered NOT over engineered. As a result of having an extensive manufacturing operation right in the heart of Europe, we can offer significantly shorter lead times on

a range of models, compared with some manufacturers. In fact, we can deliver selected machines in as little as 4 weeks. The faster you can get a machine – the faster you can get working and earning. Our aim is to get you on to the jobsite fast.

TICKET PRICE

At LiuGong, our aim is to provide you with real, measurable value by giving you everything you need and nothing you don't. For example, we choose high quality, proven components such as Cummins engines and Kawasaki hydraulic pumps. These proven components, combined with LiuGong design and manufacturing quality, result in a high quality, competitive machine that is totally fit for purpose.

RESIDUAL VALUE

With the combination of LiuGong design and manufacturing excellence, world class components and comprehensive uptime support, our quality holds its value.



IT ALL ADDS UP

With the 877H we've risen to the challenge and given you everything you need and nothing you don't.

It's a wheel loader which can handle any job, anywhere, backed up by LiuGong's service promise and designed to perform on the jobsite and on the balance sheet. Add up the benefits and you'll see that 877H represents the formula for success.



HEAVYWEIGHT CREDIBILITY

+

UPTIME AND SUPPORT

+

TOTAL COST OF OWNERSHIP

CUSTOMER SATISFACTION

SPECIFICATIONS

Operating weight 27,412 kg (60,433 lb)

Operating weight includes the machine weight with standard work device, no additional equipment or accessories, full fuel tank, all fluids at required level and an operator 75 kg (165 lb).

Bucket capacity 3.5 - 8 m³ (4.6 - 10.4 yd³)

ENGINE

Description

Engine: Cummins, EU Stage IV, 9 liter (2.4 gal), 6-cylinder straight turbocharged diesel engine with Common Rail fuel injection system and Cooled Exhaust Gas Recirculation (EGR).

Cummins Variable Geometry Turbocharger (VGT) improves engine response at both low and high speed.

Integrated DEF controller.

Air cleaning: Cummins Direct Flow Air Filter.

Cooling system: Air-to-air intercooler, hydraulic motor drive and temperature-controlled fan.

Emission rating EU Stage IV

Make Cummins

Model QSL9

Engine Output - Gross 331 hp (247 kW)
(SAE J1995 / ISO 14396) @ 1,600 rpm

Engine Output - Net 315 hp (235 kW)
(SAE J1349 / ISO 9249) @ 1,600 rpm

Peak torque 1,573 N·m (1,160 lbf·ft)

Displacement 9 L (2.4 gal)

Number of cylinders 6

Aspiration Turbocharged & air-to-air intercooled

AXLES

Model MTL3105II (Wet type)

Differential front type Limited slip differential

Differential rear type Limited slip differential

Axle oscillation ±12°

TRANSMISSION

Description

Torque converter: single-stage, three elements; free wheel stator.

Transmission: ZF Ergopower 4WG260 countershaft transmission F4/R3, electro-proportional valve.

Gear shifting system: ZF Automatic Power Shift with auto modes (1-4/2-4) all start in gear 2; FNR and kick-down features included; two shifting modes of normal modes and manual modes.

Transmission type Countershaft, power shift

Torque converter Single stage, three elements, free wheel stator

Maximum travel speed, fwd 40 km/h (24.9 mph)

Maximum travel speed, rev 28.5 km/h (17.7 mph)

Number of speed, fwd 4

Number of speed, rev 3

STEERING

Description

Steering system: Load-sensing hydraulic articulated steering.

System supply: The steering system has priority feed from a load-sensing axial piston pump with variable displacement, dual-pump confluence & steering priority.

Steering cylinders: Two double-acting cylinders.

Steering configuration Articulated

Steering relief pressure 20.7 MPa (3002 psi)

Steering cylinders 2

Cylinder bore 100 mm (4")

Rod diameter 60 mm (2")

Stroke 500 mm (1' 7")

Maximum flow 120 L/min (31.7 gal/min)

Maximum articulation ±38°

Smallest turn (over tire) 6,625 mm (21' 9")

HYDRAULIC SYSTEM

Description

System supply: Two load-sensing axial piston pumps with variable displacement and flow confluence. The steering function always has priority.

Valves: Double-acting 3-spool valve. The main valve is controlled by a 3-spool pilot valve.

Lift function: The valve has four positions: lift, hold, lower, and float. Inductive/magnetic automatic boom kick-out can be switched on and off and is adjustable to two positions: bucket at ground level and maximum reach full lifting height.

Tilt function: The valve has three functions: rollback, hold and dump.

Cylinders: Double-acting cylinders for all functions.

Filter: Full-flow filtration through 12 micron (absolute) filter cartridge.

Main pump type Piston

Main relief pressure 26 MPa (3,771 psi)

Raise 5.8 s

Dump time 1.3 s

Float down time 3.2 s

Fastest total cycle time 10.3 s

Controls 3 levers, finger control

BRAKES

Description

MICO brake solution:
Two independent brake circuits
Enclosed wet-disc

Service brake type Wet discs brake

Service brake actuation Hydraulic

Parking brake type Electrical hydraulic control

Parking brake actuation Hydraulic

ELECTRICAL SYSTEM

Description

Central warning system is a Contronic electrical system with central warning light and buzzer for the following functions: Serious engine fault, low steering system pressure, interruption in communication (computer failure). Central warning light and buzzer or code for the following functions: Low engine oil pressure, high engine oil temperature, high charge air temperature, low coolant level, high coolant temperature, low transmission oil pressure, high transmission oil temperature, low brake pressure, engaged parking brake, brake charging failure, high hydraulic oil temperature.

Voltage 24 V

Batteries 2 x 12 V

Battery capacity 2 x 120 Ah

Parking brake actuation 850 A

Reserve capacity 230 min

Alternator rating 1,960 W/70 A

Starter motor output 7.8 kW (10.5 hp)

SERVICE REFILL CAPACITIES

Fuel tank 372 L (98.3 gal)

Engine oil 33 L (8.7 gal)

Cooling system 36 L (9.5 gal)

Hydraulic system 220 L (58.1 gal)

Transmission and torque converter 50 L (13.2 gal)

Axles, each 60 L (15.9 gal)

SOUND & ENVIRONMENT

Sound level in cab according to ISO 6396-2008/EN ISO 3744-1995 74 dB(A)--
Travel mode

Sound level in cab according to ISO 6396-2008/EN ISO 3744-1995 75 dB(A)--
Stationary work cycle mode

External sound level according to ISO 6395-2008 107 dB(A)--
Travel mode

External sound level according to ISO 6395-2008 108 dB(A)--
Stationary work cycle mode

Ventilation 9.2 m³ (12 yd³)

Heating capacity 5.8 kW (7.8 hp)

Air conditioning 6 kW (8 hp)

CAB

Description

Instrumentation: All important information is centrally located in the central instrument panel and operator's field of vision.

3 pieces front glass, rear view camera and mirrors ensure great visibility.

Adjustable steering column, Machinery suspension seat and armrest box, and Denso air conditioning with air outlets all around providing you the best working environment.

Pressurized cab with little noise inside.

The cab is tested and approved according to ROPS (ISO 3471), FOPS (ISO 3449).

LOADER ARM PERFORMANCE WITH ATTACHMENT

Tipping load – straight 19,490 kg (42,968 lb)

Tipping load – full turn 16,080 kg (35,450.4 lb)

Bucket breakout force 200 kN (44,961.8 lbf)

A Maximum hinge pin height 4,355 mm (14' 3")

B Dump clearance at full height discharge 3,150 mm (10' 4")

C Dump reach at full height discharge 1,312 mm (4' 3")

D Maximum digging depth, bucket level 100 mm (4")

S1 Bucket rollback at ground level 45°

S2 Bucket rollback at carry 49°

S3 Bucket rollback at maximum height 60°

S4 Maximum dump angle at full height 45°

DIMENSIONS

E Ground clearance 485 mm (1' 7")

G Wheelbase 3,550 mm (11' 8")

H Cab height 3,580 mm (11' 9")

J Wheel tread 2,270 mm (7' 5")

K Width over tires 2,970 mm (9' 9")

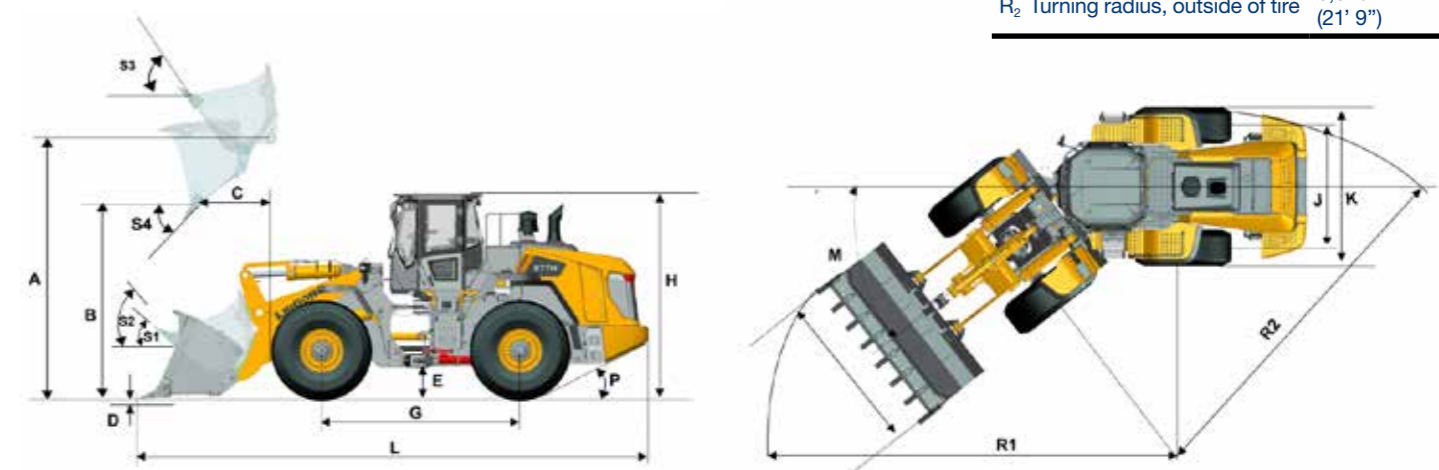
L Length with bucket down 9,100 mm (29' 10")

M Turn angle, either side 38°

P Rear angle of departure 26°

R₁ Turning radius, bucket carry 7,400 mm (24' 3")

R₂ Turning radius, outside of tire 6,625 mm (21' 9")



LiuGong standard and optional equipment may vary from region to region. Please consult your LiuGong dealer for information specific to your area.

TIRES

Choosing the right tires for your machine will become a key competitive advantage to achieve outstanding performance. Through close engineering and development cooperation with renowned and carefully selected suppliers, Liugong can offer a full range of tires specially tailored for wheel loaders.

Code	Application	Patterns	Size	PR / *	Tube Type	Width	Overall Diameter	Tread Depth	Load Capacity, 50 km/h (31.1 mph) / 10 km/h (6.2 mph)
L3	<ul style="list-style-type: none"> In sand operation In all kind of load/carry operation The L3-tread is not as open as L2 and is consequently less self-cleaning 		26.5 - 25	28	TL	675 mm (2' 2")	1,750 mm (5'9")	38.5 mm (2")	10,000 kg (22,046 lb) / 15,500 kg (34,172 lb)
			26.5 R 25	*	TL	674 mm (2' 2")	1,760 mm (5'9")	40 mm (2")	9,000 kg (19,842 lb) / 15,000 kg (33,069 lb)
			26.5 R 25	**	TL	674 mm (2' 2")	1,760 mm (5'9")	40 mm (2")	11,500 kg (25,353 lb) / 18,500 kg (40,786 lb)
L5	<ul style="list-style-type: none"> In very aggressive material where good protection against cut damages is demanded, e.g. in quarries or mines 		26.5 R 25	*	TL	676 mm (2' 2")	1,805 mm (5'11")	95 mm (4")	15,000 kg (33,069 lb) @ 10 km/h (6.2 mph)
			26.5 R 25	**	TL	676 mm (2' 2")	1,805 mm (5'11")	95 mm (4")	18,500 kg (40,786 lb) @ 10 km/h (6.2 mph)

Note: The radial tire-load bearing capacity is indicated by the number of stars (*). More stars, greater radial tire-load bearing capacity. For the specific radial tire sizes listed in the table above, 2 stars (**) represents the maximum radial tire-load bearing capacity.

ATTACHMENTS

Liugong attachments with pin-on or quick-coupler ensure high quality. The integrated design of the system creates a perfect match to achieve superior productivity.

Type	Capacity	Width	Height	Digging Depth	Dump Clearance	Dump Reach	Description
Standard	4.2 m³ (5.5 yd³)	3,150 mm (10' 4")	1,586 mm (5'2")	100 mm (4")	3,150 mm (10' 4")	1312 mm (4' 4")	Anti-Wear Blade with Bolt-on Cutting Edge and Bolt-on Teeth.
General Purpose	3.5 m³ (4.6 yd³)	3,150 mm (10' 4")	1,480 mm (4' 10")	100 mm (4")	3,076 mm (10' 1")	1341 mm (4' 5")	Anti-Wear Blade with Bolt-on Teeth.
	4.7 m³ (6.2 yd³)	3,138 mm (10' 4")	1,596 mm (5'3")	100 mm (4")	3,068 mm (10' 1")	1335 mm (4' 5")	Anti-Wear Blade with Bolt-on Cutting Edge and Bolt-on Teeth.
	5.2 m³ (6.8 yd³)	3,424 mm (11' 3")	1,637 mm (5'4")	100 mm (4")	3,064 mm (10' 1")	1329 mm (4' 4")	Anti-Wear Blade with Bolt-on Cutting Edge and Bolt-on Teeth.
Light Material	6.0 m³ (7.8 yd³)	3530 mm (11'7")	1646 mm (5'5")	100 mm (4")	3005 mm (9'10")	1454 mm (4'9")	Anti-Wear Blade with Bolt-on Cutting Edge
	7.0 m³ (9.2 yd³)	3530 mm (11'7")	2032 mm (6'8")	100 mm (4")	3703 mm (12'2")	1400 mm (4'7")	Anti-Wear Blade with Bolt-on Cutting Edge
Rock	3.5 m³ (4.6 yd³)	3,116 mm (10' 3")	1,480 mm (4' 10")	100 mm (4")	3,076 mm (10' 1")	1,341 mm (4' 5")	V-shape Anti-Wear Blade with Bolt-on Cutting Edge and Welded Teeth.
	4.0 m³ (5.2 yd³)	3,116 mm (10' 3")	1,527 mm (5')	100 mm (4")	3,019 mm (9' 11")	1,398 mm (4' 7")	V-shape Anti-Wear Blade with Bolt-on Cutting Edge and Welded Teeth.
	4.2 m³ (5.5 yd³)	3,116 mm (10' 3")	1,556 mm (5'1")	100 mm (4")	3,019 mm (9' 11")	1,398 mm (4' 7")	V-shape Anti-Wear Blade with Bolt-on Cutting Edge and Welded Teeth.
Grapple	1,000 mm (4' 5")	2,624 mm (8' 7")	1,950 mm (6' 5")	100 mm (4")	2,805 mm (9' 2")	1,680 mm (5' 6")	Aligned Teeth.
	700 mm (4' 5")	2,760 mm (9' 1")	2,120 mm (6' 12")	100 mm (4")	2,845 mm (9' 4")	1,618 mm (5' 4")	Crossed Teeth.



General Purpose



Light Material



Rock



Grapple with Aligned Teeth

STANDARD EQUIPMENT

ENGINE

- Cummins QSL9 Engine, EU Stage IV, Engine output net 235kW ,Air-to-air intercooled, 6 cylinders, 4 stroke
- Hydraulic driven fan
- EFI(Electric Fuel Injection)
- ECM faults inspecting system
- Intelligent Power Control(IPC)
- Grid Heater

TRANSMISSION

- ZF Ergopower 4WG260 automatic power shift transmission
- Three modes_Manual, Powerful, Efficient
- ICCO (Intelligent Clutch Cut-Off)
- AEB clutch adjustment
- Kick-down function, FNR, F4/R3
- Secondary oil filter, oil stick
- Remote pressure taps for diagnostics
- Electronic controlled parking brake

AXLE

- ZF MT-L wet axles
- Front and rear are limited slip differential
- Wet discs service brake system

HYDRAULIC SYSTEM

- Two piston pumps with variable displacement. Hydraulic load-sensing according to demand.
- Easy simultaneous operating of lift & tilt
- Bucket positioner, automatic
- Lowering the lift boom without engine power
- Single Joystick loader arm control (hydraulic pilot)

STEERING SYSTEM

- Load sensing system with mature technology of flow amplification and steering priority.
- Emergency steering system

TIRE & RIM

- 26.5R25 **/L3 Radial tire
- Full fender

CHASSIS FRAME

- Spacious central articulation arrangement with conic bearing
- Articulation locking bar
- Tow hitch
- Each side with rubber cushion stops

LINKAGE & ATTACHMENTS

- Z-bar linkage

ELECTRIC SYSTEM

- Two front lights with high/low beam
- Four front headlights on top of cab, LED
- Two rear headlights on top of cab, LED
- Turn signals with flasher
- Batteries, free of maintenance
- Cigarette lighter, 24 V power outlet
- Front and rear windshield wiper
- Electronic device compartment
- Back-up Alarm
- Radio/player with USB port
- Reversing warning light, automatic

GAUGE GROUP

- Engine coolant temperature
- Transmission oil temperature
- Fuel level
- Hour meter
- Voltage
- Speed indicator

INDICATOR GROUP

- Air inlet heater
- Battery charging
- Parking brake applied
- Machine emergent stop
- Power cut-off
- Engine servicing
- Turning lights
- Engine starter running
- Beam of front light

CAB

- Certified FOPS (ISO 3449) and ROPS (ISO 3471) cab
- Machinery suspension seat, armrest
- Adjustable steering column, front & rear
- Large curved front glass, adhesive
- Rubber cab mounts
- Cab fresh air filter
- One interior & Dual exterior rear-view mirrors
- Rear-view camera display
- Air conditioner
- Cigar lighter
- Cab rear windshield defroster
- Sun visor
- Fire extinguisher

OTHERS

- Automatic central lubrication
- Wedge block

OPTIONAL EQUIPMENT

ENGINE

- Cold start aid
- Multistage filters
- Electric fuel-feed pump
- Engine body heater port

HYDRAULIC SYSTEM

- Ride control
- Hydraulic driven reversible fan
- Third valve and multipurpose lines
- Fingertip levers control, electronic proportional

TIRE & RIM

- Bias tire, Tubeless
- Tire protective chain
- L5 Pattern

CAB

- Heated air suspension seat
- Heated external rear view mirrors
- Air suspension seat
- Proportional steering joystick (LH)

ELECTRIC SYSTEM

- Electric load weigher
- Front six headlights on top of cab, LED
- Rear headlights on top of cab, LED
- Rotating beacon

LINKAGE & ATTACHMENTS

- Additional Counterweight
- Quick Coupler
- Bolt-on wear-resisted blade and teeth
- Light material bucket
- Rock bucket
- Grapple with aligned or crossed teeth

Liugong standard and optional equipment may vary from region to region. Please consult your Liugong dealer for information specific to your area.



Guangxi LiuGong Machinery Co., Ltd.

No. 1 Liutai Road, Liuzhou, Guangxi 545007, PR China
T: +86 772 388 6124 E: overseas@liugong.com
www.liugong.com

Like and follow us:



LG-PB-877H-T4-24-092019-ENG

The LiuGong series of logos herein, including but not limited to word marks, device marks, letter of alphabet marks and combination marks, as the registered trademarks of Guangxi LiuGong Group Co., Ltd. are used by Guangxi LiuGong Machinery Co., Ltd. with legal permission, and shall not be used without permission. Specifications and designs are subject to change without notice. Illustrations and pictures may include optional equipment and may not include all standard equipment. Equipment and options varies by regional availability.