



<b>Engine</b>	Cummins 6CTAA8.3
<b>Rated Power</b>	194 kW (260 hp / 264 ps) @ 2,200 rpm
<b>Blade Width</b>	4,570 mm
<b>Maximum Speed</b>	44 km/h
<b>Draw Bar Pull</b>	112 kN
<b>Operating Weight</b>	20,500 kg

# 4260D MOTOR GRADER

# 4260D SPECIFICATIONS >>>

## ENGINE

Emission Regulation	Tier 2 / Stage II
Manufacturer	Cummins
Model	6CTAA8.3
Rated Power	194 kW (260 hp / 264 ps) @ 2,200 rpm
Maximum Torque	1,100 N·m
Number of Cylinders	6
Aspiration	Turbo & air-to-air intercooled

## TRANSMISSION

Transmission Type	Countershaft, power shift
Torque Converter	Single stage, three elements
Maximum Travel Speed, fwd	44 km/h
Maximum Travel Speed, rev	32 km/h
Number of Speeds, fwd	6
Number of Speeds, rev	3

## AXLES

Differential Type	Limited slip standard
Final Drive Type	Chain drive
Axle Oscillation	16°
Front Axle, Wheel Lean Angle	Left / right 18°

## STEERING

Steering Configuration	Load sensor steering gear
Steering Relief Pressure	16.7 Mpa
Minimum Turning Radius	7,500 mm
Steering Angle	±50°
Frame Articulation Angle	±27°

## BRAKES

Service Brake Type	Wet, multi-disc
Service Brake Location	Rear axle

## TIRES

Tire Size	20.5-25
-----------	---------

## HYDRAULIC SYSTEM

Main Pump Type	Gear
Main Relief Pressure	20 Mpa
Main Pump Flow	122 L/min

## WORKING CAPACITIES

Maximum Draw Pull	112 kN
Cutting Pressure	10,120 kg

## TANDEM DRIVE PERFORMANCE

Height	670 mm
Width	215 mm
Center Distance	1,696 mm

## MOLDBOARD PERFORMANCE

Bank Cut Angle	28~71°
Moldboard Lift Above Ground	570 mm
Moldboard Side Shift, left/right	465 / 933 mm
Maximum Sloping Angle	90°
Cutting Depth	838 mm
Circle Rotation	360°
Circle Diameter	1,576 mm
Circle Thickness	150 mm

## DIMENSIONS

Wheelbase	6,550 mm
Overall Length	9,680 mm
Overall Height with Cab	3,350 mm
Clearance under Front Axle	545 mm
Moldboard Standard Length	4,570 mm
Moldboard Standard Thickness	19 mm
Moldboard Standard Height	645 mm

## OPERATING WEIGHTS

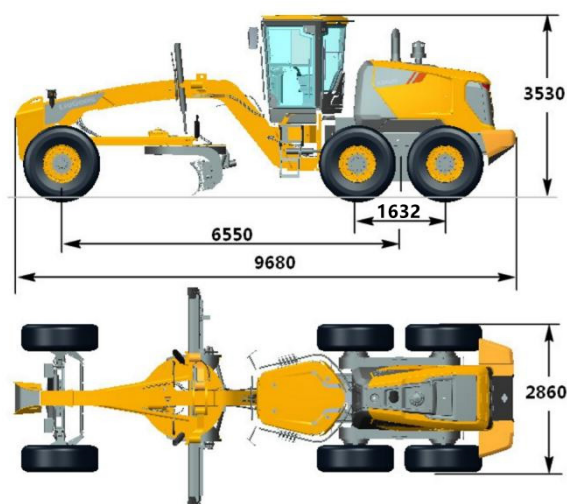
Operating Weight	20,500 kg
------------------	-----------

## SERVICE CAPACITIES

Fuel Tank	480 L
Engine Oil	21 L
Cooling System	38 L
Hydraulic System	125 L
Transmission and Torque Converter	27 L
Tandems, each	90 L

## OPTIONAL EQUIPMENT

Rear Ripper	Rotary Beacon
Frictional Flake Worm Box	Front Dozer
Automatic Leveling System	



Guangxi Liugong Machinery Co., Ltd.

No. 1 Liutai Road, Liuzhou, Guangxi 545007, PR China  
T: +86 772 3886124 E: overseas@liugong.com  
www.liugong.com

06/2022 Designed by LiuGong

Specifications and designs are subject to change without notice. Machines shown may include optional equipment. LiuGong standard and optional equipment may vary from region to region. Please consult your LiuGong dealer for information specific to your area. Engine power kW is converted to horsepower (1 kW=1.3596 ps and 1 kW=1.3410 hp) in this file.